

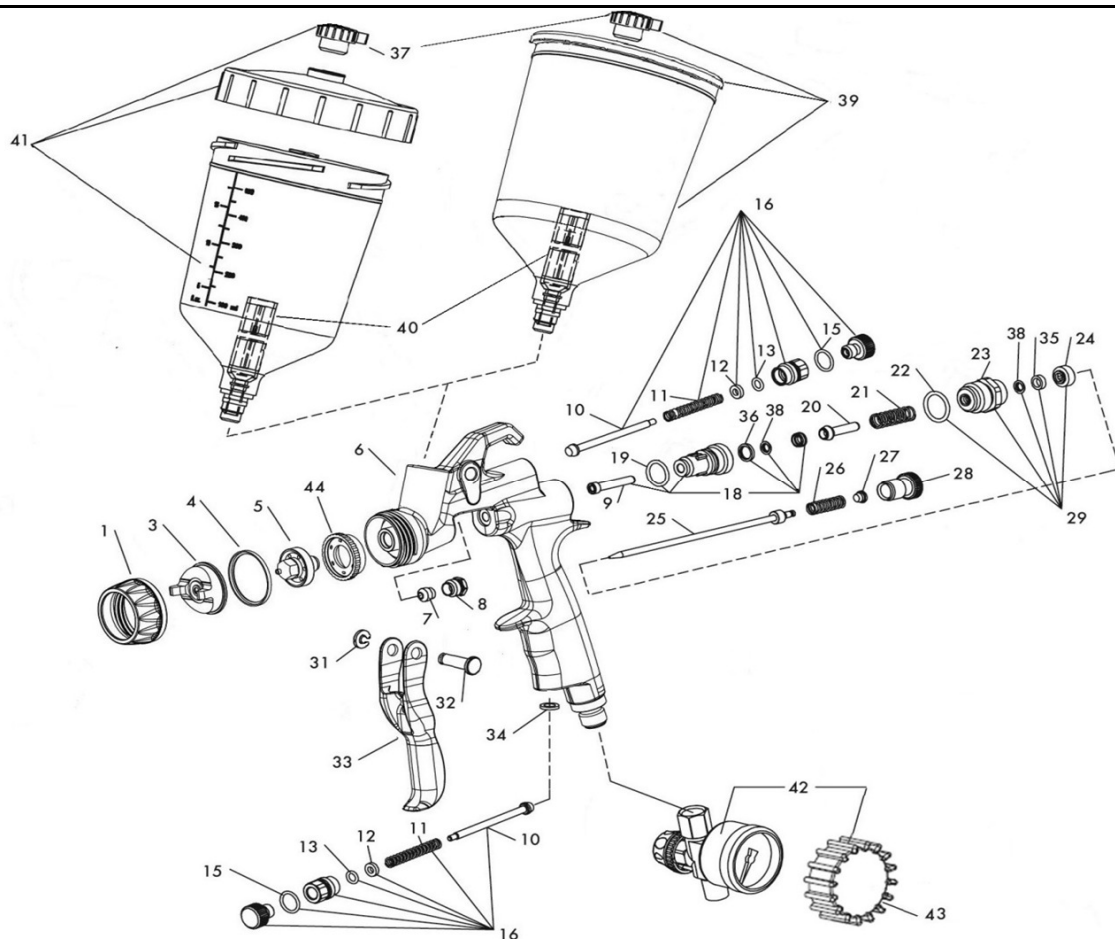
No.	REF.
1	Z081502
3 $\Phi 1,0$	Z081500.10
3 $\Phi 1,1$	Z081500.11
3 $\Phi 1,2$	Z081500.12
3 $\Phi 1,3$	Z081500.13
3 $\Phi 1,5$	Z081500.15
3 $\Phi 1,7$	Z081500.17
3 $\Phi 1,8$	Z081500.18
3 $\Phi 1,9$	Z081500.19
3 $\Phi 2,2$	Z081500.22
3 $\Phi 2,5$	Z081500.25
4	A018023
5 $\Phi 1,0$	Z081010.10
5 $\Phi 1,1$	Z081010.11
5 $\Phi 1,2$	Z081010.12
5 $\Phi 1,3$	Z081010.13
5 $\Phi 1,5$	Z081010.15
5 $\Phi 1,7$	Z081010.17
5 $\Phi 1,8$	Z081010.18
5 $\Phi 1,9$	Z081010.19
5 $\Phi 2,2$	Z081010.22
5 $\Phi 2,5$	Z081010.25
6	Z081509/HTE
7	A018065
8	Z065013
9	A018041
10	1031620
11	1031621
12	20100213090
13	A007008

No.	REF.
15	1031021
16	40811
18	A018085/19
19	A018028
20	A018012/19/COMP
21	A018001
22	A018029
23	A018006/19
24	A018004
25 $\Phi 1,0$	A018049.10
25 $\Phi 1,1$	A018049.11
25 $\Phi 1,2$	A018049.12
25 $\Phi 1,3$	A018049.13
25 $\Phi 1,5$	A018049.15
25 $\Phi 1,7$	A018049.17
25 $\Phi 1,8$	A018049.18
25 $\Phi 1,9$	A018049.19
25 $\Phi 2,2$	A018049.22
25 $\Phi 2,5$	A018049.25
26	Z078038
27	A018024/TN
28	A018015
29	40822
31	40500148050
32	Z081044
33	Z081501
34	A018061
35	A018055
36	A018045
[ 37 (White) ]	[ 20100302096 ]

No.	REF.
[ 37 (Grey) ]	[ 20100302096/G ]
38	Z078082
[ 39 ]	[ 52005/W ]
[ 40 ]	$< \Phi 1,7$ [ 90114/W ]
[ 40 ]	$\geq \Phi 1,7$ [ 90137/W ]
[ 41 (White) ]	[ 52010/W ]
[ 41 (Grey) ]	[ 52010/G ]
[ 42 ]	[ 90105/W ]
[ 43 ]	971005
44	Z081003

**KIT A** 40783/HTE  
 4 - 7 - 15 - 19 - 21 -  
 22 - 26 - 27 - 31 -  
 36 - 2x38 - 44

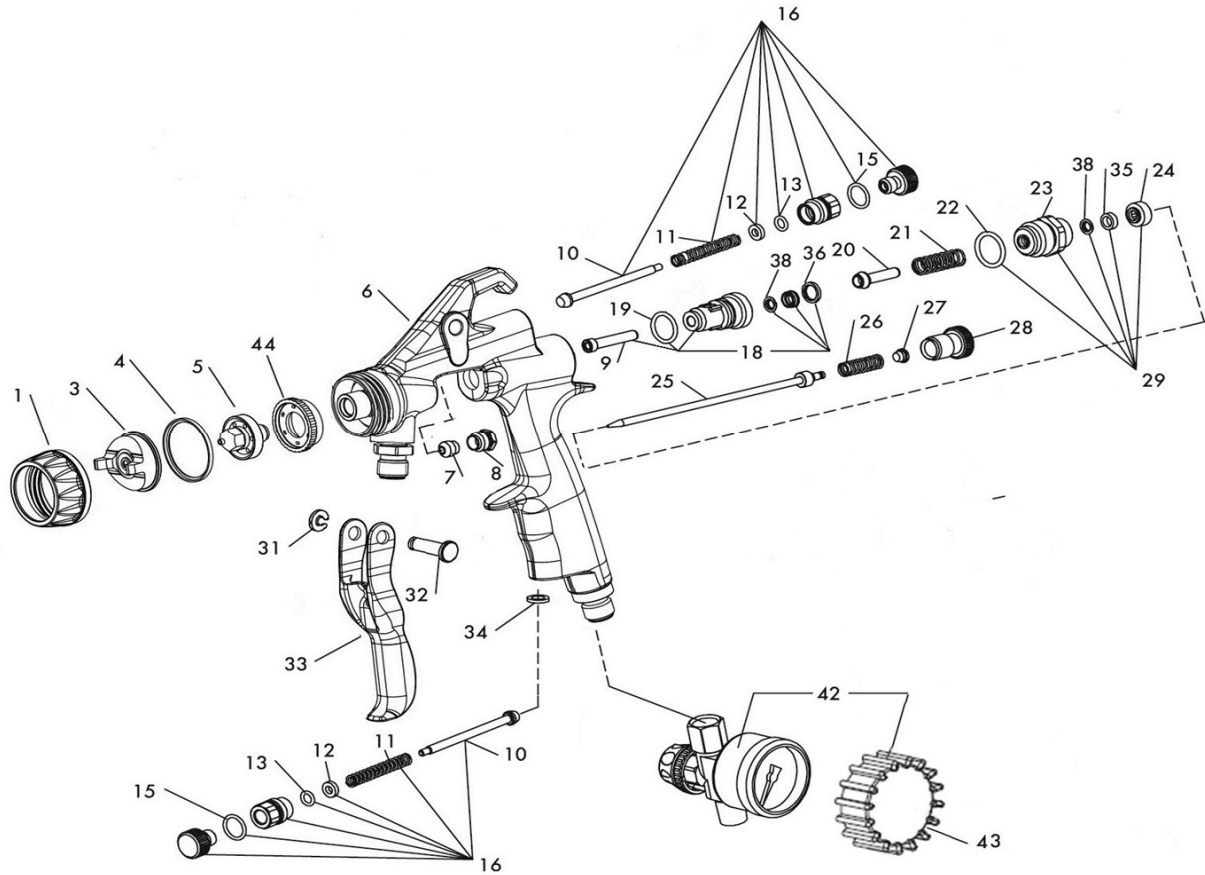
KIT ADC	$\Phi$	REF.
1 - 3 - 4 -	$\Phi 1,0$	820010
	$\Phi 1,1$	820011
5 - 25	$\Phi 1,2$	820012
	$\Phi 1,3$	820013
	$\Phi 1,5$	820015
	$\Phi 1,7$	820017
	$\Phi 1,8$	820018
	$\Phi 1,9$	820019
	$\Phi 2,2$	820022
	$\Phi 2,5$	820025



No.	REF.
1	Z081502
3 $\Phi 1,0$	Z081508.10
3 $\Phi 1,1$	Z081508.11
3 $\Phi 1,2$	Z081508.12
3 $\Phi 1,3$	Z081508.13
3 $\Phi 1,5$	Z081508.15
3 $\Phi 1,7$	Z081508.17
3 $\Phi 1,8$	Z081508.18
3 $\Phi 1,9$	Z081508.19
3 $\Phi 2,2$	Z081508.22
4	A018023
5 $\Phi 1,0$	Z081010.10
5 $\Phi 1,1$	Z081010.11
5 $\Phi 1,2$	Z081010.12
5 $\Phi 1,3$	Z081010.13
5 $\Phi 1,5$	Z081010.15
5 $\Phi 1,7$	Z081010.17
5 $\Phi 1,8$	Z081010.18
5 $\Phi 1,9$	Z081010.19
5 $\Phi 2,2$	Z081010.22
6	Z081509/HVLP
7	A018065
8	Z065013
9	A018041
10	1031620
11	1031621
12	20100213090
13	A007008
15	1031021

No.	REF.
16	40811
18	A018085/19
19	A018028
20	A018012/19/COMP
21	A018001
22	A018029
23	A018006/19
24	A018004
25 $\Phi 1,0$	A018049.10
25 $\Phi 1,1$	A018049.11
25 $\Phi 1,2$	A018049.12
25 $\Phi 1,3$	A018049.13
25 $\Phi 1,5$	A018049.15
25 $\Phi 1,7$	A018049.17
25 $\Phi 1,8$	A018049.18
25 $\Phi 1,9$	A018049.19
25 $\Phi 2,2$	A018049.22
26	Z078038
27	A018024/TN
28	A018015
29	40822
31	40500148050
32	Z081044
33	Z081501
34	A018061
35	A018055
36	A018045
[ 37 (White) ]	[ 20100302096 ]
[ 37 (Grey) ]	[ 20100302096/G ]

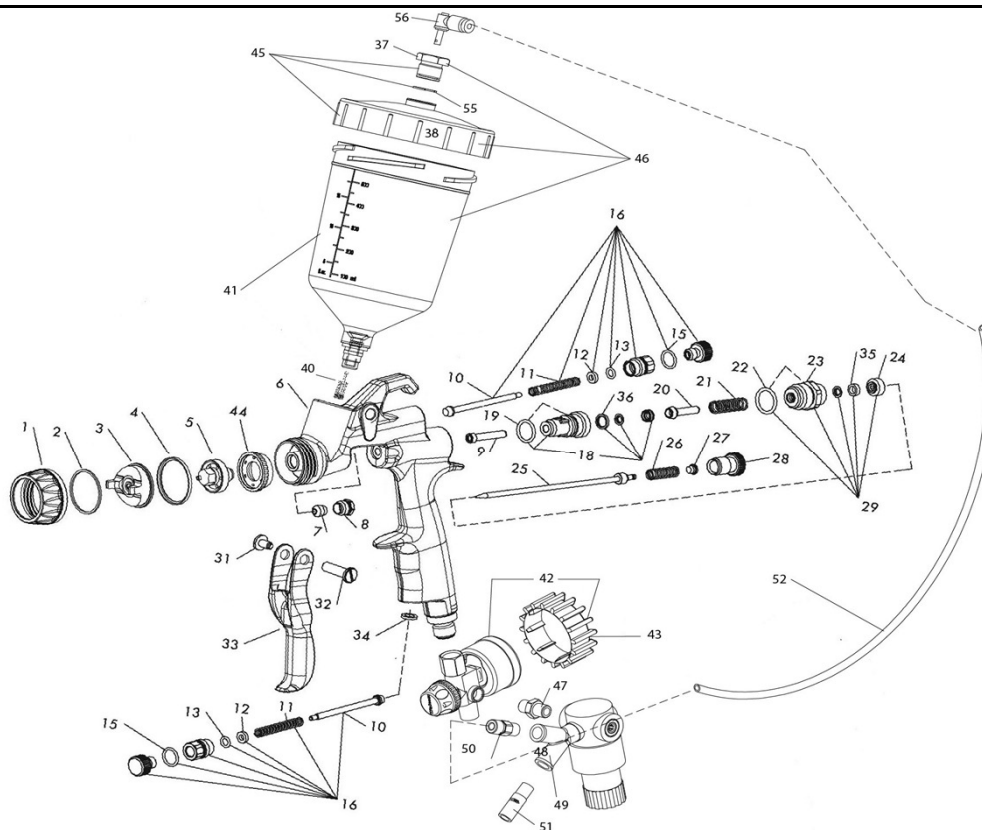
No.	REF.
38	Z078082
[ 39 ]	[ 52005/W ]
[ 40 ]	< $\Phi 1,7$ [ 90114/W ]
[ 40 ]	$\geq \Phi 1,7$ [ 90137/W ]
[ 41 (White) ]	[ 52010/W ]
[ 41 (Grey) ]	[ 52010/G ]
[ 42 ]	[ 90105/W ]
[ 43 ]	971005
44	Z081004
<b>KIT A</b> 40783/HVLP	
4 - 7 - 15 - 19 - 21 -	
22 - 26 - 27 - 31 -	
36 - 2x38 - 44	
<b>KIT ADC</b>	
	$\Phi 1,0$ 830010
1 - 3 - 4 -	$\Phi 1,1$ 830011
5 - 25	$\Phi 1,2$ 830012
	$\Phi 1,3$ 830013
	$\Phi 1,5$ 830015
	$\Phi 1,7$ 830017
	$\Phi 1,8$ 830018
	$\Phi 1,9$ 830019
	$\Phi 2,2$ 830022



No.	REF.
1	Z081502
3 $\Phi 0,7$	Z081500.07
3 $\Phi 0,8$	Z081500.08
3 $\Phi 1,0$	Z081500.10
3 $\Phi 1,1$	Z081500.11
3 $\Phi 1,2$	Z081500.12
3 $\Phi 1,3$	Z081500.13
3 $\Phi 1,4$	Z081500.14
3 $\Phi 1,5$	Z081500.15
3 $\Phi 1,7$	Z081500.17
3 $\Phi 1,8$	Z081500.18
3 $\Phi 1,9$	Z081500.19
4	A018023
5 $\Phi 0,7$	Z081010.07
5 $\Phi 0,8$	Z081010.08
5 $\Phi 1,0$	Z081010.10
5 $\Phi 1,1$	Z081010.11
5 $\Phi 1,2$	Z081010.12
5 $\Phi 1,3$	Z081010.13
5 $\Phi 1,4$	Z081010.14
5 $\Phi 1,5$	Z081010.15
5 $\Phi 1,7$	Z081010.17
5 $\Phi 1,8$	Z081010.18
5 $\Phi 1,9$	Z081010.19
6	Z081512/HTE
7	A018065
8	Z065013
9	A018041
10	1031620
11	1031621
12	20100213090

No.	REF.
13	A007008
15	1031021
16	40811
18	A018085/19
19	A018028
20	A018012/19/COMP
21	A018001
22	A018029
23	A018006/19
24	A018004
25 $\Phi 0,7$	A018049.07
25 $\Phi 0,8$	A018049.08
25 $\Phi 1,0$	A018049.10
25 $\Phi 1,1$	A018049.11
25 $\Phi 1,2$	A018049.12
25 $\Phi 1,3$	A018049.13
25 $\Phi 1,4$	A018049.14
25 $\Phi 1,5$	A018049.15
25 $\Phi 1,7$	A018049.17
25 $\Phi 1,8$	A018049.18
25 $\Phi 1,9$	A018049.19
26	Z078038
27	A018024/TN
28	A018015
29	40822
31	40500148050
32	Z081044
33	Z081501
34	A018061
35	A018055
36	A018045

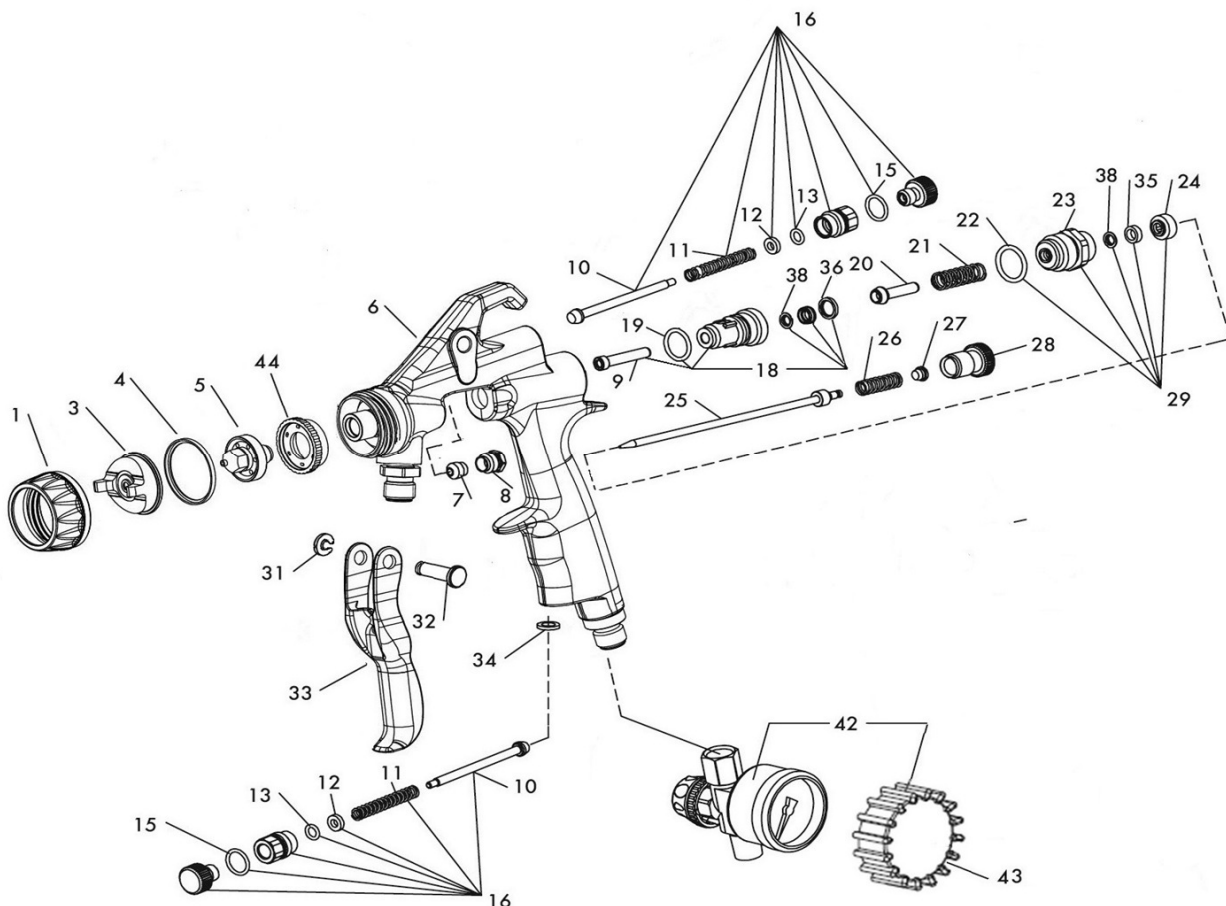
No.	REF.
38	Z078082
[42]	[90105/W]
[43]	[971005]
44	Z081003
<b>KIT A</b> 40783/HTE	
4 - 7 - 15 - 19 - 21	
22 - 26 - 27 - 31	
36 - 2x38 - 44	
<b>KIT ADC</b>	
1 - 3 - 4 -	$\Phi 0,7$ 820007
5 - 25	$\Phi 0,8$ 820008
	$\Phi 1,0$ 820010
	$\Phi 1,1$ 820011
	$\Phi 1,2$ 820012
	$\Phi 1,3$ 820013
	$\Phi 1,4$ 820014
	$\Phi 1,5$ 820015
	$\Phi 1,7$ 820017
	$\Phi 1,8$ 820018
	$\Phi 1,9$ 820019



No.	REF.
1	Z081502
2	A018022
3 $\Phi 1,0$	Z081500.10
3 $\Phi 1,1$	Z081500.11
3 $\Phi 1,2$	Z081500.12
3 $\Phi 1,3$	Z081500.13
3 $\Phi 1,5$	Z081500.15
3 $\Phi 1,7$	Z081500.17
3 $\Phi 1,8$	Z081500.18
3 $\Phi 1,9$	Z081500.19
3 $\Phi 2,2$	Z081500.22
3 $\Phi 2,5$	Z081500.25
4	A018023
5 $\Phi 1,0$	Z081010.10
5 $\Phi 1,1$	Z081010.11
5 $\Phi 1,2$	Z081010.12
5 $\Phi 1,3$	Z081010.13
5 $\Phi 1,5$	Z081010.15
5 $\Phi 1,7$	Z081010.17
5 $\Phi 1,8$	Z081010.18
5 $\Phi 1,9$	Z081010.19
5 $\Phi 2,2$	Z081010.22
5 $\Phi 2,5$	Z081010.25
6	Z081509/HTE
7	A018065
8	Z065013
9	A018041
10	1031620
11	1031621
12	20100213090
13	A007008
15	1031021
16	40811

No.	REF.
18	A018085/19
19	A018028
20	A018012/19/COMP
21	A018001
22	A018029
23	A018006/19
24	A018004
25 $\Phi 1,0$	A018049.10
25 $\Phi 1,1$	A018049.11
25 $\Phi 1,2$	A018049.12
25 $\Phi 1,3$	A018049.13
25 $\Phi 1,5$	A018049.15
25 $\Phi 1,7$	A018049.17
25 $\Phi 1,8$	A018049.18
25 $\Phi 1,9$	A018049.19
25 $\Phi 2,2$	A018049.22
25 $\Phi 2,5$	A018049.25
26	Z078038
27	A018024/TN
28	A018015
29	40822
31	Z078022ANO
32	Z081505ANO
33	Z081501
34	A018061
35	A018055
36	A018045
37	20100302096
38	Z078074/B
39	1011584
40	$<\Phi 1,7$ 90114/W
40	$\geq\Phi 1,7$ 90137/W
41	1011584/HD

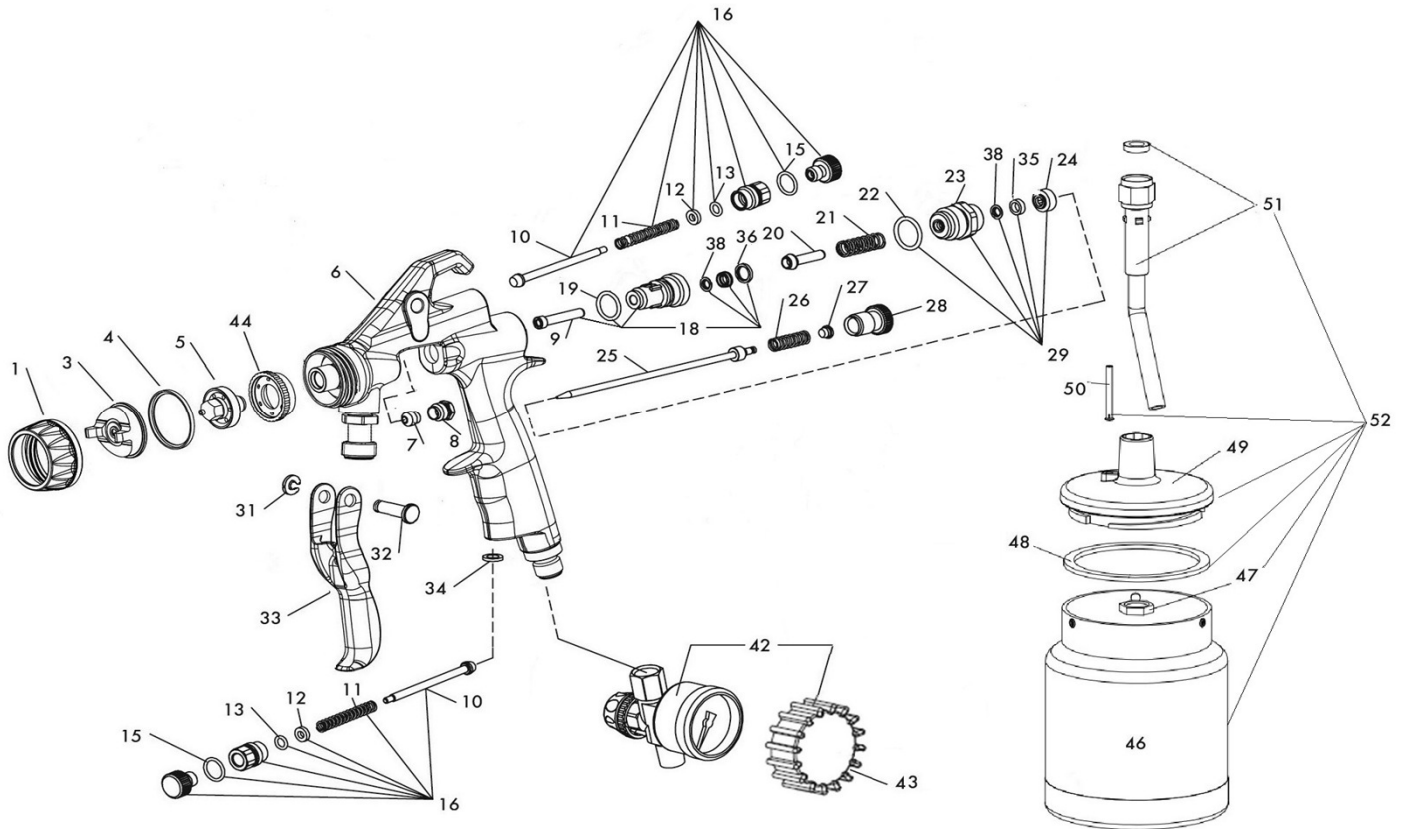
No.	REF.
42	90107HD/W
43	971005
44	Z081003
45	A011005/W
46	A011006/W
47	14130
48	61100-HD
49	14320
50	17000
51	1011460
52	40500255101
55	A011012
56	1011413
<b>KIT A</b> 40783/HTE	
2 - 4 - 7 - 8 - 11 -	
12 - 13 - 15 - 19 - 21	
22 - 26 - 27 - 35 - 36	
<b>KIT ADC</b>	
	$\Phi 1,0$ 820010
	$\Phi 1,1$ 820011
1 - 2 - 3 - 4 -	$\Phi 1,2$ 820012
5 - 25	$\Phi 1,3$ 820013
	$\Phi 1,5$ 820015
	$\Phi 1,7$ 820017
	$\Phi 1,8$ 820018
	$\Phi 1,9$ 820019
	$\Phi 2,2$ 820022
	$\Phi 2,5$ 820025



No.	REF.
1	Z081502
3 $\Phi 1,0$	Z081508.10
3 $\Phi 1,1$	Z081508.11
3 $\Phi 1,2$	Z081508.12
3 $\Phi 1,3$	Z081508.13
3 $\Phi 1,4$	Z081508.14
3 $\Phi 1,5$	Z081508.15
3 $\Phi 1,7$	Z081508.17
3 $\Phi 1,8$	Z081508.18
3 $\Phi 1,9$	Z081508.19
4	A018023
5 $\Phi 1,0$	Z081010.10
5 $\Phi 1,1$	Z081010.11
5 $\Phi 1,2$	Z081010.12
5 $\Phi 1,3$	Z081010.13
5 $\Phi 1,4$	Z081010.14
5 $\Phi 1,5$	Z081010.15
5 $\Phi 1,7$	Z081010.17
5 $\Phi 1,8$	Z081010.18
5 $\Phi 1,9$	Z081010.19
6	Z081512/HVLP
7	A018065
8	Z065013
9	A018041
10	1031620
11	1031621
12	20100213090
13	A007008

No.	REF.
15	1031021
16	40811
18	A018085/19
19	A018028
20	A018012/19/COMP
21	A018001
22	A018029
23	A018006/19
24	A018004
25 $\Phi 1,0$	A018049.10
25 $\Phi 1,1$	A018049.11
25 $\Phi 1,2$	A018049.12
25 $\Phi 1,3$	A018049.13
25 $\Phi 1,4$	A018049.14
25 $\Phi 1,5$	A018049.15
25 $\Phi 1,7$	A018049.17
25 $\Phi 1,8$	A018049.18
25 $\Phi 1,9$	A018049.19
26	Z078038
27	A018024/TN
28	A018015
29	40822
31	40500148050
32	Z081044
33	Z081501
34	A018061
35	A018055
36	A018045

No.	REF.
38	Z078082
[42]	[90105/W]
[43]	[971005]
44	Z081004
<b>KIT A</b> 40783/HVLP	
4 - 7 - 15 - 19 - 21	
22 - 26 - 27 - 31	
36 - 2x38 - 44	
<b>KIT ADC</b>	
1 - 3 - 4 -	
5 - 25	$\Phi 1,0$ 830010
	$\Phi 1,1$ 830011
	$\Phi 1,2$ 830012
	$\Phi 1,3$ 830013
	$\Phi 1,4$ 830014
	$\Phi 1,5$ 830015
	$\Phi 1,7$ 830017
	$\Phi 1,8$ 830018
	$\Phi 1,9$ 830019



No.	REF.
1	Z081502
3 $\Phi 1,3$	Z081500.13
3 $\Phi 1,4$	Z081500.14
3 $\Phi 1,5$	Z081500.15
3 $\Phi 1,7$	Z081500.17
3 $\Phi 1,8$	Z081500.18
3 $\Phi 1,9$	Z081500.19
4	A018023
5 $\Phi 1,3$	Z081010.13
5 $\Phi 1,4$	Z081010.14
5 $\Phi 1,5$	Z081010.15
5 $\Phi 1,7$	Z081010.17
5 $\Phi 1,8$	Z081010.18
5 $\Phi 1,9$	Z081010.19
6	Z081516/HTE
7	A018065
8	Z065013
9	A018041
10	1031620
11	1031621
12	20100213090
13	A007008
15	1031021
16	40811
18	A018085/19

No.	REF.
19	A018028
20	A018012/19/COMP
21	A018001
22	A018029
23	A018006/19
24	A018004
25 $\Phi 1,3$	A018049.13
25 $\Phi 1,4$	A018049.14
25 $\Phi 1,5$	A018049.15
25 $\Phi 1,7$	A018049.17
25 $\Phi 1,8$	A018049.18
25 $\Phi 1,9$	A018049.19
26	Z078038
27	A018024/TN
28	A018015
29	40822
31	40500148050
32	Z081044
33	Z081501
34	A018061
35	A018055
36	A018045
38	Z078082
[42]	[90105/W]
[43]	[971005]

No.	REF.
44	Z081003
46	20100568083
47	20100094001
48	20100581090
49	0920736
50	20100578022
51	20102253000
52	51007
<b>KIT A</b> 40783/HTE	
4 - 7 - 15 - 19 - 21	
22 - 26 - 27 - 31	
36 - 2x38 - 44	
<b>KIT ADC</b>	
1 - 3 - 4 -	$\Phi 1,3$ 820013
	$\Phi 1,4$ 820014
5 - 25	$\Phi 1,5$ 820015
	$\Phi 1,7$ 820017
	$\Phi 1,8$ 820018
	$\Phi 1,9$ 820019